

## Finally, Mount:

Using a 4" diameter Mounting Bracket, mount the PVC Pipe to your desired location, such as a fence, at a downward 45° angle. If you get a Mounting Bracket that is loose enough, you can slip your Mason Bee Hive into it. This makes retrieving your bees at the end of summer very simple, just slip the PVC Hive out and place the entire Hive in your garage or barn over winter. Next spring, slip them right back into the mounting

### Fun Fact!



*Mason Bees are native to North America, unlike honey bees which were brought over from England in the 1630s. Most mason bees are smaller than honey bees, but some are about the same size as honey bees or slightly larger. They have stout bodies, and many species are metallic green or bluish in color.*

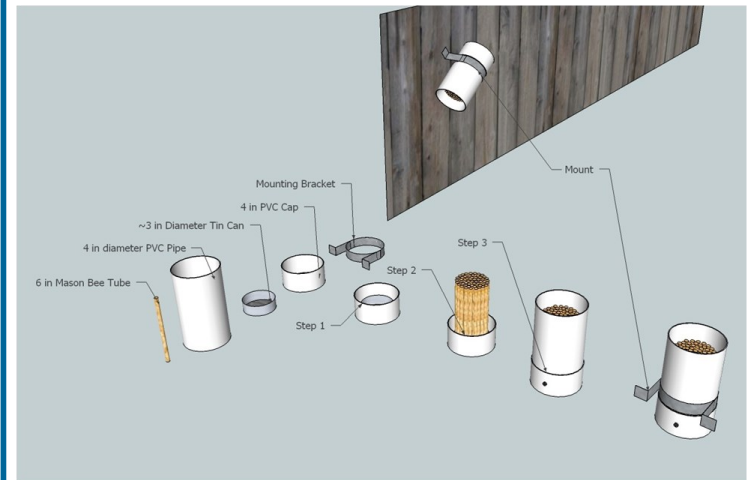


If you would like more information about Mason Bees and how to maintain them, a great resource is OSU Extension's Master Gardener Program. Contact Chip Bubl 503.397.3462

The Columbia SWCD Presents:

# Mason Bee Housing

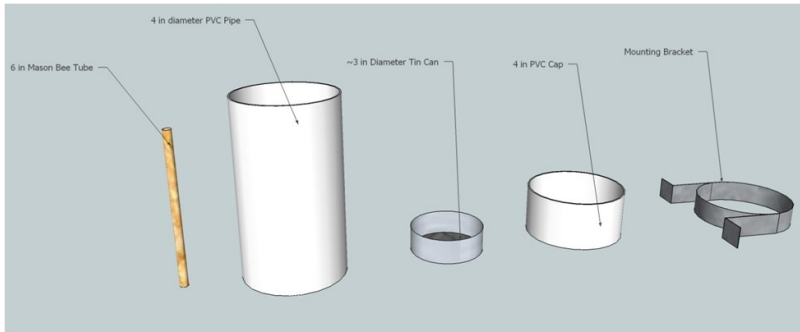
How to build a simple and portable Mason Bee hive.



Columbia SWCD  
35285 Millard Road  
St. Helens, OR 97051  
503.433.3205  
[www.columbiaswcd.com](http://www.columbiaswcd.com)

## MATERIALS:

4" diameter section of PVC pipe (approximately 7"-8" in length),  
Standard sized tin can or tuna can,  
4" PVC Cap  
4" Mounting Bracket (and screws)  
~30-40 6" Cardboard Mason Bee Tubes



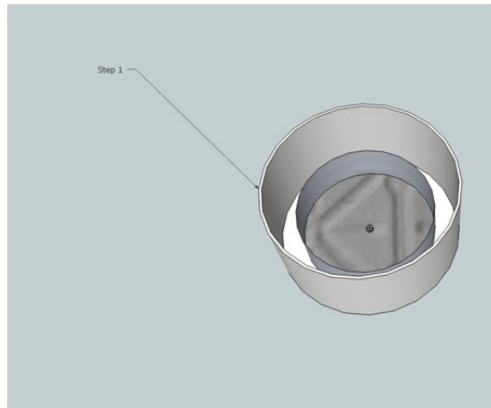
### Step 1:

Screw the Tin Can or Tuna Can onto the inside of the PVC cap using a small screw (~ 1/4").

### Fun Fact!



*Orchard Mason Bees are gentle, mild-mannered solitary bees that rarely, if ever, sting. (Males don't even have stingers.)*



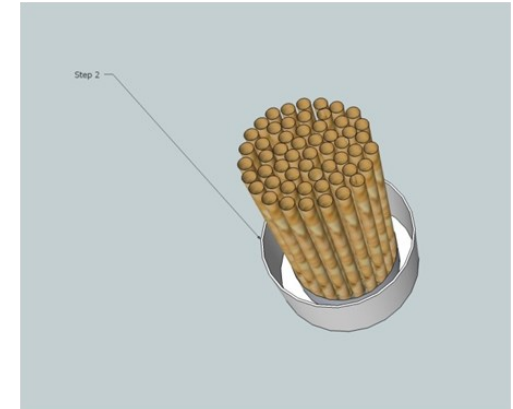
### Step 2:

Insert the Mason Bee tubes into the Can. Pack them in tight enough that the tubes don't fall out when held upside down and shaken lightly, but not so tight that the tubes bend and warp.

### Fun Fact!

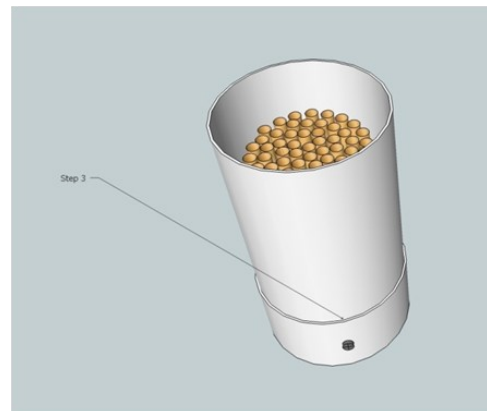


*Mason Bees do not make honey, but rather use collected nectar and pollen to feed themselves and their young.*



### Step 3:

Attach the Cap with Tubes to the 7" long section of PVC Pipe. Secure the Cap to the PVC using a small screw (~ 1/4").



### Fun Fact!



*Mason Bees don't have a Queen to defend so will rarely attack if disturbed, making them very safe around kids and pets.*